

# APF 12/33

FORWARD MOVING VIBRATORY PLATE



## INDUSTRY-LEADING COMPACTION

The APF 12/33 is an outstanding match for soils and soft bases, particularly those associated with gardening and landscaping. It has a working width of 330 mm and engine power of 2.9 kW (4 hp). The plate's technologically advanced exciter unit is maintenance free and offers superior life expectancy. It's generous dimension boosts compaction power and driving forces.

## SIMPLE OPERATION

- Operator safety with low HAV levels (below 2.5 m/sec<sup>2</sup>)
- Machine frame that enables secure grip
- Great maneuverability boosts accuracy and makes work simple

## POWERFUL COMPACTOR

- Generously sized, powerful exciter unit
- Leading compaction power, speed, climbing ability and machine life
- Compact dimensions allow use on sites with limited space

## READY FOR RENTAL

- Low cost upkeep for owners
- Good match for many applications
- Easy for new users to operate

## SERVICEABILITY

- Maintenance-free exciter system
- Full engine protection frame
- Toolless daily maintenance

## VERSATILE OPTIONS

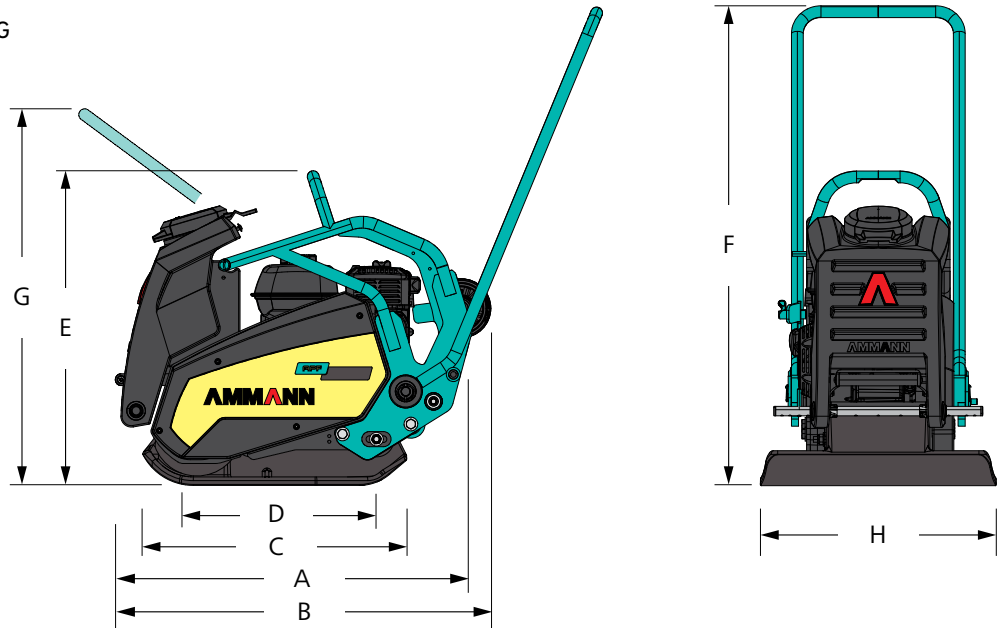
- Toolless mountable water tank and sprinkler system

## APPLICATIONS

- Compaction in confined areas
- Asphalt and paving applications
- Light to medium patchwork
- Pipeline and trench construction
- Landscaping and gardening
- Earthwork

**AMMANN**

TECHNICAL SPECIFICATIONS  
APF 12/33 FORWARD MOVING  
VIBRATORY PLATE



### DIMENSIONS & WEIGHTS

MACHINE WEIGHT	68 kg (150 lb)
MACHINE WEIGHT (INCL. OPTIONAL SPRINKLER & WHEELS)	74 kg (163 lb)
A MACHINE LENGTH	961 mm (37.8 in)
B MACHINE LENGTH (INCL. OPTIONAL SPRINKLER & WHEELS)	1018 mm (40.1 in)
C BASE PLATE LENGTH	559 mm (22.0 in)
D GROUND CONTACT LENGTH	352 mm (13.9 in)
E MACHINE HEIGHT	488 mm (19.2 in)
F WITH HANDLE (WORK)	993 mm (39.1 in)
G WITH HANDLE (TRANSPORT)	1088mm (42.8in)
H MACHINE WIDTH	330 mm (13.0 in)

### COMPACTION FORCES

MAX. VIBRATION FREQUENCY	100 Hz (6000 vpm)
MAX. CENTRIFUGAL FORCE	12 kN
WORKING SURFACE	up to 4902 ft <sup>2</sup> /h (455.4 m <sup>2</sup> /h)
SPEC. SURFACE PRESSURE	8.1 N/cm <sup>2</sup>

### ENGINE

ENGINE	Honda GX 120
FUEL	Petrol
ENGINE OUTPUT AT RPM	2.9 kW (4 HP) 3600

### MISCELLANEOUS

HAND-ARM VIBRATION ON HANDLE	<2.5 m/s <sup>2</sup>
SPEED	0–23 m/min (0–75.5 ft/min)
GRADEABILITY	30 %
MAX. INCLINE TO ALL SIDES	20°

### OPTIONS

RUBBER MAT	–
TRANSPORT WHEELS	–
WATER SPRINKLER SYSTEM	8 l
HOUR METER	x

### HIGHLIGHTS

- Low-vibration handle for operator safety and comfort
- Maintenance-free exciter system
- Base plate that is self cleaning and wear resistant
- Engine frame for protection on the jobsite and during transport