

6 Tonne Power Swivel Cabbed

KEY FEATURES & BENEFITS - MACH2364



The Thwaites 6 Tonne Power Swivel Cabbed, Stage V dumper is manufactured with contractors and hirers in mind – ensuring operator safety, reducing risk on site and improving performance.

The cab is impact tested to level 2 ROPS 3471 and FOPS 3449. As such all Thwaites cabbed dumpers are approved for use by the UK Major Contractors Group. The Power Swivel skip enables a 90° rotation left and right, allowing the machine easier access to tip loads in restricted areas, giving the operator greater control and reducing risk on site.

Powered by a 3.6L Deutz turbo diesel engine fitted with a DPF to comply with EU stage V emission regulations, you benefit from 55.4 kW peak power, 405 Nm of torque and no AdBlue requirement. The Thwaites 6 Tonne Power Swivel Cabbed dumper is also available with a Powershuttle Transmission. Thwaites cabbed dumpers are available in a range of further sizes to suit your needs:

- › 6 Tonne Front Tip Cabbed
- › Super Vis Front Tip Cabbed
- › 9 Tonne Power Swivel Cabbed

A Spring Activated Hydraulic Release (SAHR) Handbrake, 5" screen displaying 150° around machine visibility, hi-vis steps, full LED road lights and twin LED beacons are fitted as standard, with a GPS speedo, rear wiper and adjustable work lights available as optional extras.



Safe, compliant and competitive.

This QR code will take you to a short and informative machine walkaround



Thwaites

Thwaites Ltd, Leamington Spa,
Warwickshire, CV32 7NQ, England
Tel +44 (0)1926 422471

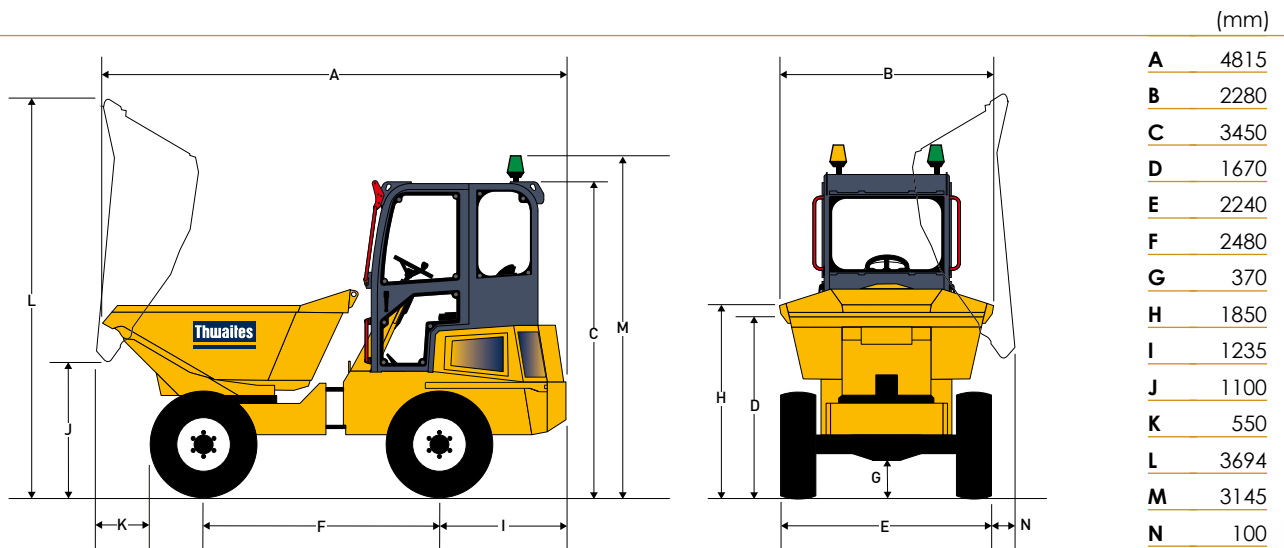
www.thwaitesdumpers.co.uk



GET THE JOB DONE.

6 Tonne Power Swivel Cabbed

DIMENSIONS & SPECIFICATIONS - MACH2364



Weight	Unladen	5020 kg
	Shipping	4976 kg

Capacities	Max safe load	6000 kg
	Heaped	3150 litres
	Struck	2550 litres
	Water	1650 litres

Engine

- › Deutz TCD 3.6 L4, water-cooled, 4-cylinder, charged air cooled turbo, fuel injected diesel and after treatment Diesel Particulate filter
- › Power 55.4 kW/ 74 bhp at 2200 rpm
- › Torque 405 Nm (299 lbf ft).

Noise Levels

- › Operator's ear 84 LpA / airborne level 101 LwA

Transmission

- › Torque converter four speed forward and reverse Powershift transmission, column mounted speed and directional control lever

Speeds	Forward and Reverse	
	1	4.8 km/h
2	8.6 km/h	(5.4 mph)
3	15.6 km/h	(9.8 mph)
4	27.7 km/h	(17.3 mph)

Brakes and Axles

- › Totally enclosed multiplate oil-immersed discs mounted on rear axle & auto wear adjustment
- › Hand operated parking brake (SAHR)

Kinglink Chassis

- › Constructed from folded steel plate, with three point Kinglink giving articulation and oscillation for better stability, traction and safety on site

Skip

- › Hydraulically operated, 8mm steel base plate
- › Skip mouth & sides reinforced with box sections
- › Power Swivel skip enables a 180° rotation

Seating & Controls

- › Adjustable suspension seat with high-vis seat belt
- › Clear operators display unit contains all warning lamps

Service Access

- › Lockable engine cover provides access to the engine
- › Keyless lockable side covers for ground level service points

Electrics

- › Fuse & relay are housed on a central power distribution board
- › Main harness is fully enclosed in solid conduit and incorporates the engine diagnostic port

Steering and Hydraulics

- › Hydraulic power steering
- › Return line filtration for all services
- › Hydraulic test point fitted as standard

Tank Capacities	Fuel	72 litres
	Hydraulic	50 litres

Turning Circle	16.6m
----------------	-------

Standard Equipment

- › Full LED road lighting incl. DRL (Daylight Running Lights)
- › Camera and dashpanel monitor
- › LED beacons
- › Fan guard
- › Reverse alarm
- › Air conditioning

Optional Equipment

- › Adjustable work lights
- › Air suspension seat
- › Rear wiper system,
- › Wheel nut indicator
- › GPS speedometer
- › USB socket

Thwaites

Thwaites Ltd. Leamington Spa,
Warwickshire, CV32 7NQ. England
Tel +44 (0)1926 422471

www.thwaitesdumpers.co.uk



Images are representative, but specific details or equipment may vary by country. We reserve the right to change any and all specifications without prior notice. 08/2021