

# ARX 45-2

LIGHT TANDEM VIBRATORY ROLLER  
EU Stage IIIA / US EPA Tier 4 Interim



## AVOIDING OBSTRUCTIONS

The Ammann ARX 45-2 Light Tandem Roller makes it easier to see – and work – near obstructions. The roller features a new articulating joint that enables quick drum adjustment from in-line to offset configurations, helpful when working close to obstructions. Operators need watch only one drum, knowing the second will be a safe distance from the obstacle. The in-line drum setting is available when it's time for productivity in open spaces.

## APPLICATIONS

- Small and medium construction sites
- City roads
- Boardwalks
- City street repairs
- Road maintenance

## PRODUCTIVITY

- Electronic drive lever for smooth starts and stops, especially important on asphalt jobs
- An adjustable steering joint, which enables quick changes between in-line and offset drums
- Sprinkling system 2-stage filtration system with large water tanks for extended intervals between fillings
- ACE<sup>force</sup>, the Intelligent Compaction tool for optimal efficiency

## ERGONOMICS

- Spacious operator platform with sliding seat
- Simple and reliable dashboard with intuitive machine control, helping inexperienced operators succeed
- Optimal all-around machine visibility for safety on the jobsite

## SERVICEABILITY

- Easy and fast daily maintenance
- Accessible service and maintenance points
- Maintenance-free parts

MAXIMUM RECOMMENDED COMPACTED LIFT THICKNESS AT OPTIMAL WORKING CONDITIONS

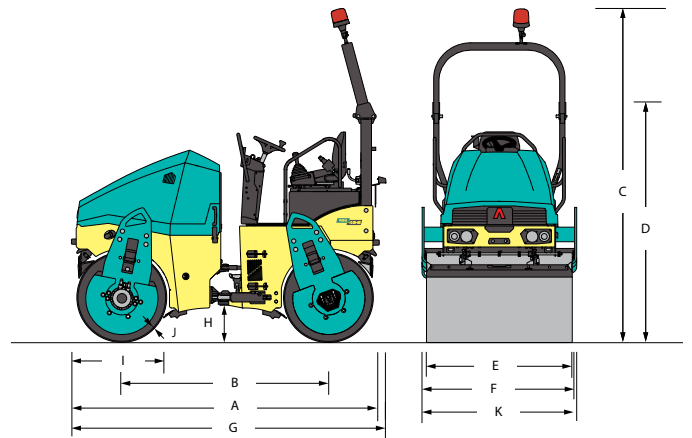
	Sand / gravel	Mixed soils	Silt	Clay	Stabilisation	Asphalt
ARX 45-2	300 mm (11.8 in)	200 mm (7.9 in)	–	–	150 mm (5.9 in)	120 mm (4.7 in)

**AMMANN**

TECHNICAL SPECIFICATIONS  
ARX 45-2 LIGHT TANDEM VIBRATORY ROLLER  
EU Stage IIIA / US EPA Tier 4 Interim

## DIMENSIONS

A	MACHINE LENGTH	2915 mm (114.8 in)
B	WHEELBASE	1950 mm (76.8 in)
C	MACHINE HEIGHT	2840 mm (111.8 in)
D	MACHINE HEIGHT (FOLDED ROPS)	2150 mm (84.6 in)
E	DRUM WIDTH	1380 mm (54.3 in)
F	WORKING WIDTH WITH OFFSET	1420 mm (55.9 in)
G	MACHINE LENGTH (FOLDED ROPS)	3000 mm (118.1 in)
H	GROUND CLEARANCE	330 mm (13 in)
I	DRUM DIAMETER	850 mm (33.5 in)
J	DRUM SHELL THICKNESS	18 mm (0.7 in)
K	MACHINE WIDTH (TOTAL)	1460 mm (57 in)



## WEIGHT AND OPERATING CHARACTERISTICS

OPERATING WEIGHT CECE	4690 kg (10 340 lb)
OPERATING WEIGHT MAX.	4980 kg (10 980 lb)
STAT. LIN. LOAD OF FRONT DRUM	16.5 kg/cm (36.4 lb)
STAT. LIN. LOAD OF REAR DRUM	17.5 kg/cm (38.6 lb)
TURNING RADIUS INSIDE	2830 mm (111.4 in)
STEERING / OSCILLATING ANGLE	35/9 ±°
DRUM OFFSET	40 mm (1.6 in)

## ENGINE

ENGINE TYPE	Kubota V2403-M-E3B
EMMISSION CLASS	EU Stage IIIA / US EPA Tier 4i
POWER OUTPUT ISO 3046	34.1 kW (45.7 HP)
CYLINDER / LTR.	4 cyl / 2434 cm <sup>3</sup>
NOMINAL SPEED	2400 rpm
TRAVEL SPEED	10 km/h (6.2 MPH)
GRADEABILITY WITH / WITHOUT VIBR.	30 % / 40 %

### STANDARD

- Front and rear vibration and drive
- Control system with emergency stop
- Pressurised pulse interval sprinkler system
- Maintenance free vibratory system
- Lateral sliding seat
- 2 working frequencies / 2 amplitudes
- Hydraulic test ports
- Manual adjustment in-line / Offset configuration
- Maintenance-free articulation joint

## COMPACTION FORCES

AMPLITUDE I	0.4 mm (0.016 in)
AMPLITUDE II	0.6 mm (0.024 in)
FREQUENCY I	41 Hz (2460 VPM)
FREQUENCY II	55 Hz (3300 VPM)
CENTRIFUGAL FORCE I	45 kN (10 116.4 lbf)
CENTRIFUGAL FORCE II	56.4 kN (12 679.2 lbf)
CENTRIFUGAL FORCE III	57.6 kN (12 949 lbf)

## MISCELLANEOUS

BATTERY / CAPACITY	12/77 V/Ah
WATER TANK	340 l (89.8 gal)
HYDRAULIC TANK	53.5 l (14.1 gal)
DIESEL FUEL TANK	57 l (15.1 gal)

### OPTIONAL EQUIPMENT

- CE-Kit with folding ROPS and working lights
- Road lighting
- Asphalt thermometer
- Reverse alarm
- Battery disconnection switch
- ATC – Ammann Traction Control
- Arm rests
- Second drive-lever, left
- Edge-cutter incl. multi-function lever
- Bio-degradable hydraulic oil
- ACE<sup>force</sup>
- Customer colour
- Canvas Canopy on ROPS
- Additional working lights (ROPS mounted)
- Warning beacon
- Scraper tiltable