

# AFW 600-2

WHEELED ASPHALT PAVER  
LARGE CLASS, CONVENTIONAL



## POWER AND MOBILITY

Mobility combined with power is the strength of this wheeled paver. Large rear tires provide manoeuvrability, as does a tight turning radius. Intuitive conventional electronics enable easy operation for the experienced and newcomers. The high operator platform provides exceptional visibility, while an adjustable seat and a slidable and tiltable control console ensure great sight lines and comfort. The impact of dump trucks is lessened through a low hopper dump height and oscillating push rollers.

## POWERFUL WHEEL DRIVE

- Large rear tires for great traction and manoeuvrability
- 2.5 m inner turning radius
- 15 km/h travel speed

## OPERATOR COMFORT

- High operator platform for optimal visibility
- Adjustable seats and slidable-tiltable control console
- Conventional control panel with easy-to-use toggle switches

## SUPERIOR SCREED TECHNOLOGY

- Tamper/vibration screed
- Gas heating
- 2.55 m basic working width
- 6.6 m maximum working width
- Stability through 4-tube principle
- Easy adjustment of the angle of attack
- Single crank to adjust height and side shield angle

## MATERIAL FEEDING

- Auger height adjustment up to 250 mm
- Large hopper with individually controlled wings
- Reduced material segregation through hopper design and slim auger box
- Ultrasonic sensors control flow

## SERVICEABILITY

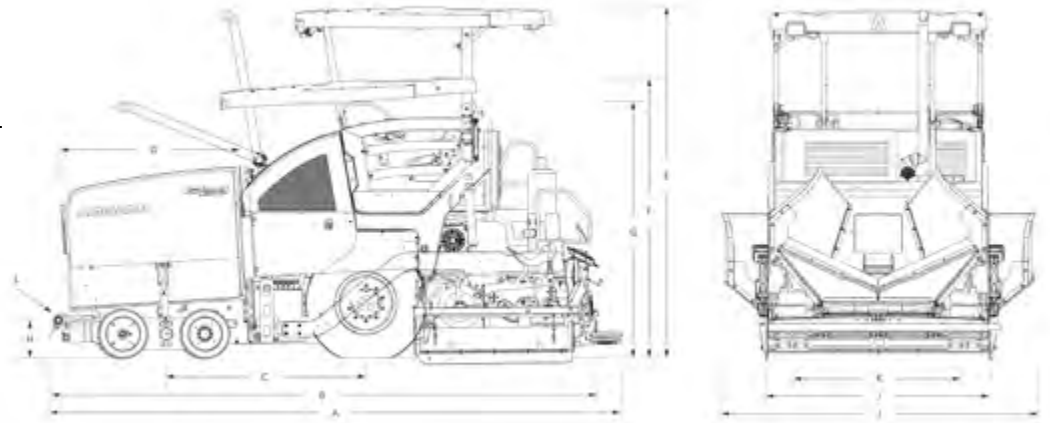
- Easy access
- All-in-one box kits available
- Easy replacement of dashboard toggle switches

## APPLICATIONS

- National roads
- Highways
- Country roads
- City/municipal streets
- Building lots
- Large squares and courtyards

**AMMANN**

TECHNICAL SPECIFICATIONS  
 AFW 600-2  
 WHEELED ASPHALT PAVER  
 LARGE CLASS, CONVENTIONAL



**WEIGHT & DIMENSIONS**

WEIGHT (INCLUDING STANDARD SCREED)	17 500 kg
A MACHINE LENGTH	6 380 mm
B TRANSPORT LENGTH	6 100 mm
C WHEEL BASE	2 240 mm
D HOPPER LENGTH	2 125 mm
E MACHINE HEIGHT	3 900 mm
F TRANSPORT HEIGHT	3 100 mm
G HEIGHT (W.O. CANOPY)	2 845 mm
H MATERIAL LOADING HEIGHT	495 mm
I MACHINE, OPEN HOPPERS WIDTH	3 250 mm
J TRANSPORT WIDTH	2 550 mm
K TRACK GAUGE WIDTH	2 055 mm
L MAX. APPROACH ANGLE	17° (front) / 16° (back)

**CAPACITY & PERFORMANCE**

PLACEMENT THICKNESS (MAX.)	300 mm
THEORETICAL PAVING CAPACITY	650 t/h
PAVING SPEED (MAX.)	30 m/min
TRANSPORT SPEED (MAX.)	15 km/h

**WHEEL DRIVE**

REAR WHEELS	Pneumatic tyres 2 × 445 / 80 R25
FRONT WHEELS	Elastic, solid rubber tyres 4 × 560 / 300-390
TRACTION	2WD (2 × rear wheels)
TURNING RADIUS	2 477 mm (inside Radius) 6 065 mm (outside Radius)

**SCREED OPTION**

	<b>STV 5100 G</b>
BASIC WIDTH	2.55 m
HYDRAULIC EXTENDED WIDTH	5.10 m
MAX. WORKING WIDTH	6.60 m
HEATING SYSTEM	Gas (LPG)
SCREED TYPE	Tamper & vibration screed

**MATERIAL FEEDING SYSTEM**

HOPPER CAPACITY	13 t
HOPPER DUMPING HEIGHT CENTER (W. HOPPER FLAP)	575 mm
HOPPER WIDTH, INTERNAL	3 140 mm
CONVEYOR TYPE	Dual bar feeder
CONVEYOR WIDTH	2 × 580 mm
CONVEYOR CONTROL	Automatic with limit switches
AUGER DIAMETER	380 mm
AUGER CONTROL	Automatic with ultrasonic sensors
AUGER HEIGHT ADJUSTMENT	250 mm (mechanical)

**ENGINE**

ENGINE MODEL	Cummins QSB 6.7 - C173
RATED POWER @ 2200 RPM	110 kW
EMISSIONS	Stage IIIA (T3)
ELECTRICAL SYSTEM	24 V
FUEL TANK CAPACITY	315 l

**OPERATOR STATION**

OPERATOR CONSOLE	Slidable and tiltable control console, adjustable to any position
DASHBOARD	Conventional electronic control
PLATFORM	Adjustable and swingable seats
ROOF	Canopy with integrated working lights