

A large yellow and teal Ammann ARS 200 Soil Compactor T3 is shown in operation on a construction site. The machine features a large teal drum with the Ammann logo and a yellow chassis. The background shows a construction site with a yellow structure and trees.

ARS 200

SOIL COMPACTOR
T3

EFFICIENT COMPACTION LEADER

Ammann continues to be the industry leader in compaction output while defining new highest standards in efficiency and cost saving through the ARS 200 T3 Soil Compactor.

The machines meet EU Stage 3 emissions standards. The machines also meet the highest operator standards, with intuitive control via a centralized multifunctional display built into the steering wheel. A wide range of compaction tools such as the ACE^{force} system help operators monitor indications of compaction.

PRODUCTIVITY

High compaction output
Faster compaction of thicker layers with less passes

No rear axle concept
Compact machine design for high stability, manoeuvrability and access

ACE^{force}
Intelligent compaction tools for best effectivity

ERGONOMICS

Cab design
Spacious cab with low noise levels for Operator comfort

Control and Information display integrated in steering wheel
Intuitive machine control and overview even with unskilled Operator thru Multifunctional display

Visibility
Perfect all-around machine visibility for higher safety on the job-site

SERVICEABILITY

Tiltable cabin and engine hood
Perfect access to service points

Ground access to service and maintenance points
Easy access to service points without additional tools

Maintenance friendly design
Easy and fast daily maintenance

APPLICATIONS

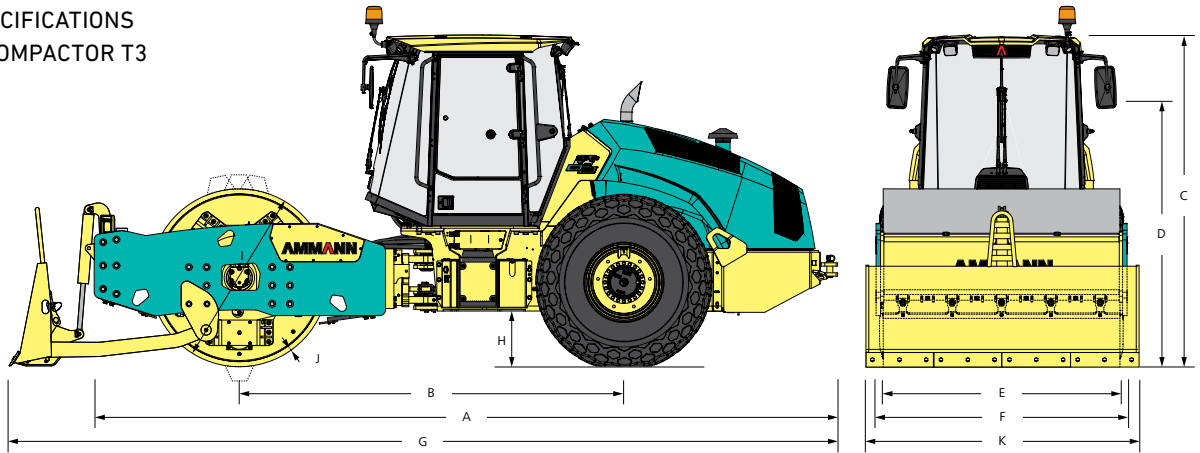
- Large jobsites
- Heavy transport construction (sub-base of railways, airfields, water dams, harbours)

MAXIMUM RECOMMENDED COMPACTED LIFT THICKNESS AT OPTIMAL WORKING CONDITIONS

	Rockfill	Sand / Gravel	Mixed Soils	Silt	Clay
ARS 200	1.7 m (67 in)	1 m (39.4 in)	0.85 m (33.5 in)	0.65 m (25.6 in)	0.3 m (11.8 in)

AMMANN

TECHNICAL SPECIFICATIONS
ARS 200 SOIL COMPACTOR T3



DIMENSIONS

		D	PD
A	MACHINE LENGTH	6688 mm (263.3 in)	6688 mm (263.3 in)
B	WHEELBASE	3460 mm (136.2 in)	3460 mm (136.2 in)
C	MACHINE HEIGHT	2985 mm (117.5 in)	2985 mm (117.5 in)
D	MACHINE HEIGHT (REMOVED CAB / ROPS)	2565 mm (101 in)	2565 mm (101 in)
E	DRUM WIDTH	2130 mm (83.9 in)	2130 mm (83.9 in)
F	MACHINE WIDTH	2258 mm (88.9 in)	2258 mm (88.9 in)
G	MACHINE LENGTH (BLADE)	-	7496 mm (295.1 in)
H	GROUND CLEARANCE	500 mm (19.7 in)	500 mm (19.7 in)
I	DRUM DIAMETER	1600 mm (63 in)	1795 mm (70.7 in)
J	DRUM SHELL THICKNESS	45 mm (1.8 in)	30 mm (1.2 in)
K	MACHINE WIDTH (BLADE)	-	2441 mm (96.1 in)

MISCELLANEOUS

BRAKES OPERATING	Hydrostatic
BRAKES PARKING	Multiple-discspring brake
BRAKES EMERGENCY	Multiple-discspring brake
FUEL TANK CAPACITY	350 l (92.4 gal)
VOLTAGE	24 V

WEIGHT & OPERATING CHARACTERISTICS

OPERATING WEIGHT CECE (D/PD VERSION)	19750 kg (43540 lb) /19875 kg (43820 lb)
MAXIMUM WEIGHT	26000 kg (57320 lb)
STATIC LINEAR LOAD	58.6 kg/cm (328.2 lb/in)
MAX. TRANSPORT SPEED	12 km/h (7.46 mph)
MAX. WORKING SPEED	7 km/h (4.35 mph)
CLIMBING ABILITY	55(50)%
TURNING RADIUS INNER (EDGE)	4370 mm (172 in)
TURNING RADIUS INNER (CONTOUR)	6710 mm (264.2 in)

STANDARD EQUIPMENT

- ATC (Ammann Traction Control)
- Smooth drum
- Two stage vibratory unit
- D drive
- Electrohydraulic cabin and hood tilting
- Working lights head and rear
- Hydraulic test ports on components
- Diamond tread tires

COMPACTION FORCES

FREQUENCY I CE	27 Hz (1620 VPn)
FREQUENCY II CE	34 Hz (2040 VPn)
FREQUENCY ACE MIN./MAX.	-
AMPLITUDE I	2 mm (0.079 in)
AMPLITUDE II	1 mm (0.039 in)
AMPLITUDE ACE MIN./MAX.	-
CENTRIFUGAL FORCE I	375 kN
CENTRIFUGAL FORCE II	300 kN
CENTRIF. FORCE ACE MIN./MAX.	-

ENGINE

MANUFACTURER	DEUTZ TCD 6.1 L6
POWER ACCORDING TO ISO 14396	160 kW (215 HP)/2300 rpm
MAXIMUM TORQUE	694/1600 Nm/rpm
ENGINE COMPLIES WITH EMISSION REGULATIONS	EU Stage IIIA, U.S. EPA Tier 3



OPTIONAL EQUIPMENT

- ACE^{force}
- ACE GPS monitoring
- PD Drum (or PD Shell Kit)
- HX Drive version
- Air Condition for cab
- Radio with CD
- 360° Illumination Kit
- Ammann Toolkit
- Dozer Blade
- Road lighting
- Warning beacon
- Back-up alarm
- Telematics ready
- Centralised hydraulic test ports
- Tractor tires